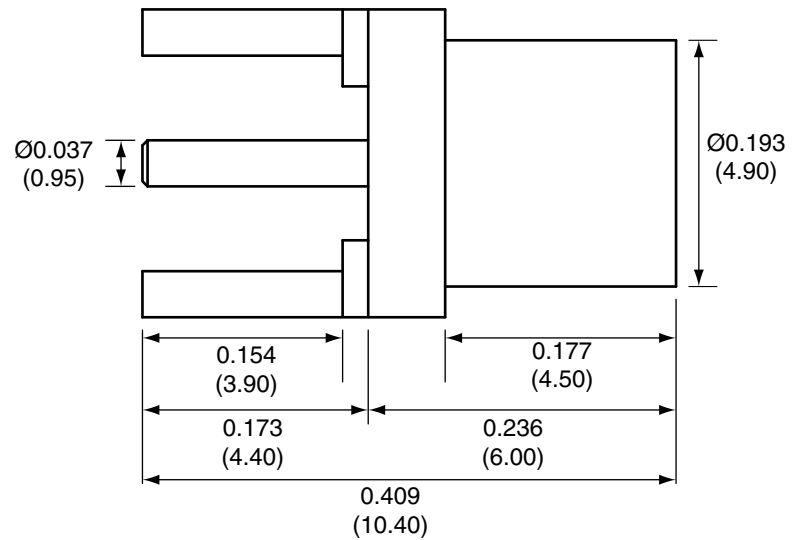
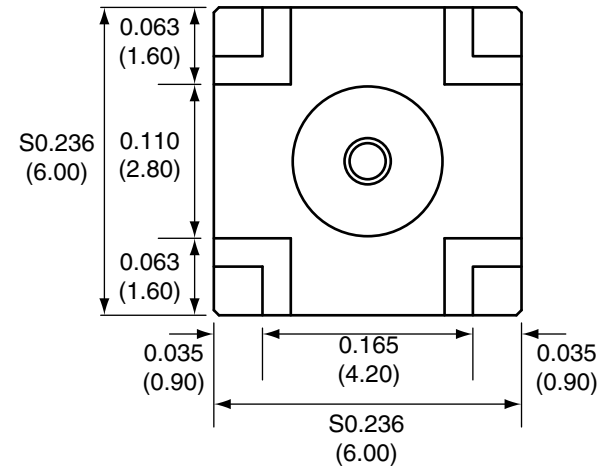


1		
Description	Material	Finish
Body	Brass	Gold
Pin	Brass	Gold
Insulation	Teflon	Teflon

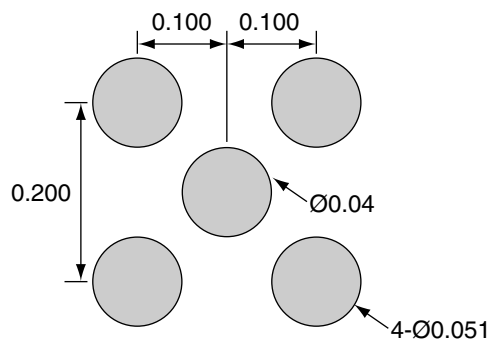
SIDE VIEW



BACK VIEW



RECOMMENDED FOOTPRINT



Title		CONNECTOR CITY 159 ORT LANE MERLIN, OR 97532 PH (541)-471-6256 FAX (541)-471-6251	
RP-MCX FEMALE PCB MOUNT		Revision: 1.0	
Part No.	CONREVMCX001	Date:	6/8/2006
Dimensions:	INCHES (mm)	Sheet 1 of 1	

